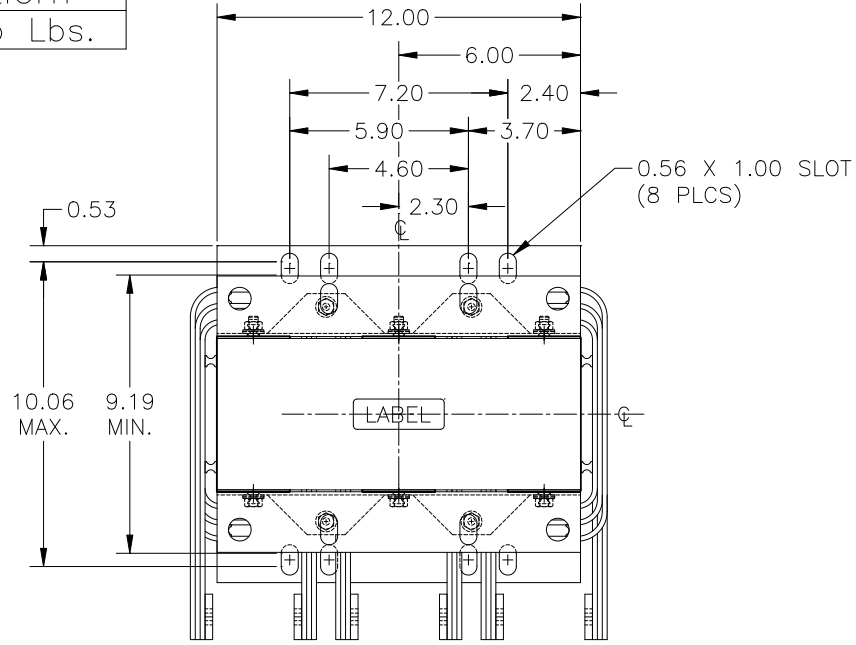


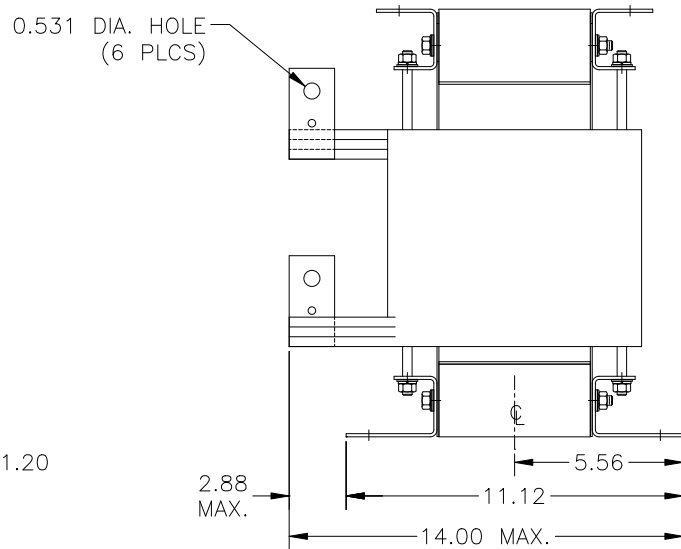
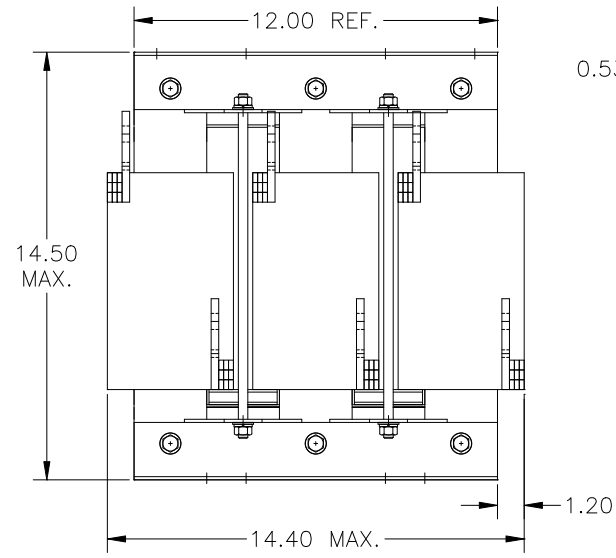
FILE: J:\ENG\PROD-DOC\RL(RL)

INDUCTANCE	WEIGHT
0.048 mH	265 Lbs.

NO.	CHANGE DESCRIPTION	BY	DATE	C'K'D
-----	--------------------	----	------	-------



NOTE:  
CENTER LINES REPRESENT CENTER OF REACTOR CORE



UNLESS OTHERWISE SPECIFIED, DIMENSIONS ARE IN INCHES AND TOLERANCES ARE:

DECI.	FRAC.
ANGLES	DRILLED HOLES

PART NAME:	3 PHASE REACTOR
DESCRIPTION:	OUTLINE DIMENSION
FINISH:	

MTE CORPORATION MENOMONEE FALLS, WISCONSIN			
RL-75003			REV. 12
SCALE	NTS	DATE	9/27/05
REF.	DR. BY	MDG	APP'D